

Speaker Model: BZ40B

Cone Paper: Special rubber edge+ Aluminum

DCR Impedance: 4.0 Ω

Maximum Power: 30 W

Frequency Range: 90-15000Hz

Sensitivity 1W/1M: 88 dB

Qms: 2.6

Qes: 1.07

Qts: 0.76

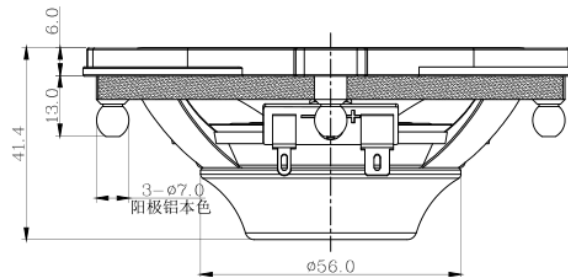
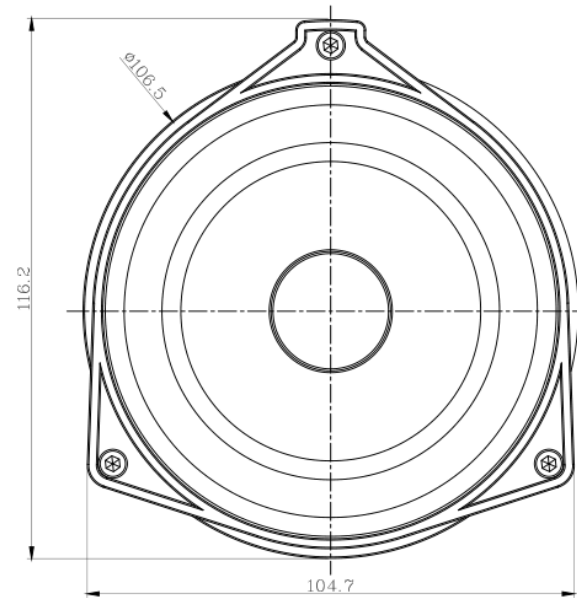
Mms: 5.65G

Vas: 1.25 L

Weight: 0.18 KG

Mounting Depth: 42.0 MM

Mounting Diameter: 106.5 MM



SPL vs Freq



Impedance vs Freq

