

## Product information

SPECIFICATIONS	F7	N7	K7
Rms.Power (W)	80	100	130
Fo (Hz)	125	120	125
Nominal Impedance ( $\Omega$ )	4	4	4
Sensitivity@1w/1m (dB)	95 $\pm$ 2	98 $\pm$ 2	96 $\pm$ 2
Frequency Range	140Hz~12KHz	140Hz~12KHz	140Hz~12KHz
Magnet	20 Oz	$\Phi$ 37.5*10,N42H Neo Magnet	34 Oz
Voice Coil	1.5"	1.5"	1.5"
Cone	PAPER CONE	PAPER CONE	PAPER CONE
Mounting Depth (mm)	72	70	76
Mounting Diameter (mm)	145	145	145

# STEG

**F7、N7、K7**  
6.5" MIDRANGE SPEAKER

SUBWOOFER SPEAKER SYSTEM  
OWNER'S MANUAL

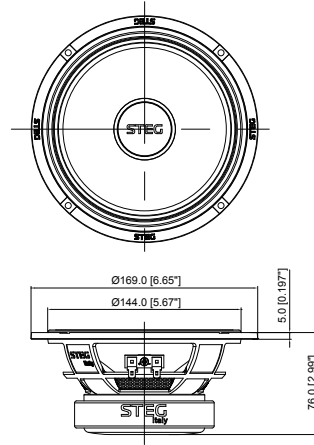
---

Thank you for purchasing a STEG Subwoofer Speaker. It is a state-of-the-art product specifically designed and engineered for vehicle use, and has been thoroughly tested to ensure consistent and reliable performance.

Should you have any questions regarding the installation or operation of your STEG Subwoofer Speaker, which are not answered in this manual, please contact your dealer for assistance.

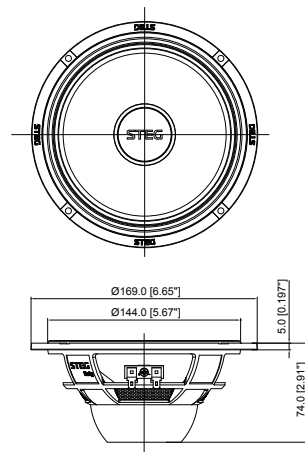
## FEATURES

Model: F7  
 6.5" Subwoofer Speaker  
 Rms.Power: 80W  
 Cloth edge paper cone  
 Dual 4 ohm 1.5" Aluminum Voice Coil  
 20Oz Magnet Structure  
 PVC Magnet Cover



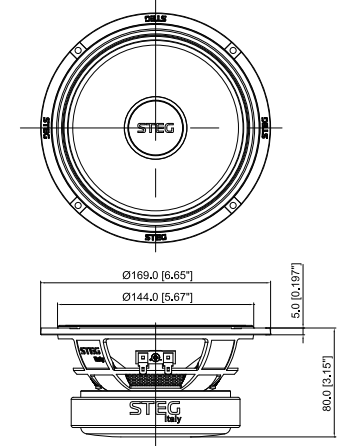
## FEATURES

Model: N7  
 6.5" Subwoofer Speaker  
 Rms.Power: 100W  
 Cloth edge paper cone  
 Dual 4ohm 1.5" Aluminum Voice Coil  
 Φ37.5\*10,N42H Neo Magnet



## FEATURES

Model: K7  
 6.5" Subwoofer Speaker  
 Rms.Power: 130W  
 Cloth edge paper cone  
 Dual 4ohm 1.5" Aluminum Voice Coil  
 34Oz Magnet Structure  
 PVC Magnet Cover



## PRECAUTIONS

- Before making holes, check the mounting space with supplied template.
- To prevent noise pick-up, keep the wiring away from motors, highvoltage leads and other potential noise sources.
- To prevent a short-circuit, keep all wiring away from moving parts and sharp edges.
- Make sure you carefully read and understand the installation instructions before installing this subwoofer in your vehicle.