

Product information

SPECIFICATIONS	F8	N8	K8
Rms.Power (W)	80	100	130
Fo (Hz)	100	100	100
Nominal Impedance (Ω)	4	4	4
Sensitivity@1w/1m (dB)	98 \pm 2	99 \pm 2	98 \pm 2
Frequency Range	115Hz~10KHz	115Hz~10KHz	115Hz~10KHz
Magnet	20 Oz	Φ 37.5*10,N42H Neo Magnet	34 Oz
Voice Coil	1.5"	1.5"	1.5"
Cone	PAPER CONE	PAPER CONE	PAPER CONE
Mounting Depth (mm)	88	86	92
Mounting Diameter (mm)	182	182	182

STEG

F8、N8、K8
8" MIDRANGE SPEAKER

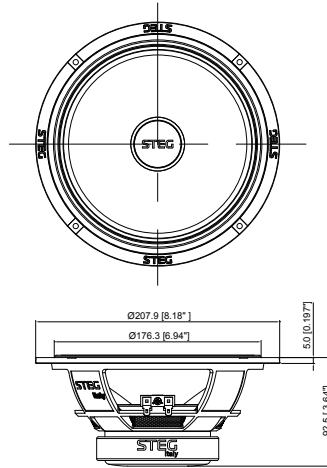
SUBWOOFER SPEAKER SYSTEM
OWNER'S MANUAL

Thank you for purchasing a STEG Subwoofer Speaker. It is a state-of-the-art product specifically designed and engineered for vehicle use, and has been thoroughly tested to ensure consistent and reliable performance.

Should you have any questions regarding the installation or operation of your STEG Subwoofer Speaker, which are not answered in this manual, please contact your dealer for assistance.

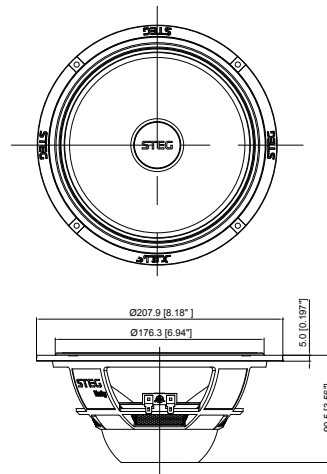
FEATURES

Model: F8
 6.5" Subwoofer Speaker
 Rms.Power: 80W
 Cloth edge paper cone
 Dual 4 ohm 1.5" Aluminum Voice Coil
 20Oz Magnet Structure
 PVC Magnet Cover



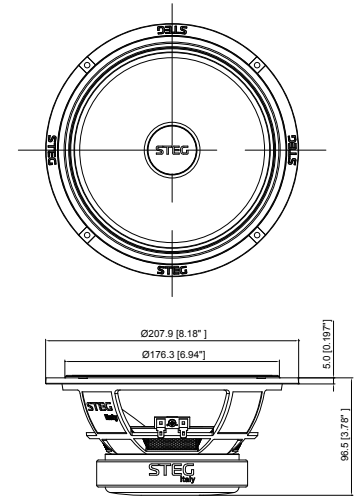
FEATURES

Model: N8
 6.5" Subwoofer Speaker
 Rms.Power: 100W
 Cloth edge paper cone
 Dual 4ohm 1.5" Aluminum Voice Coil
 Φ37.5*10,N42H Neo Magnet



FEATURES

Model: K8
 6.5" Subwoofer Speaker
 Rms.Power: 130W
 Cloth edge paper cone
 Dual 4ohm 1.5" Aluminum Voice Coil
 34Oz Magnet Structure
 PVC Magnet Cover



PRECAUTIONS

- Before making holes, check the mounting space with supplied template.
- To prevent noise pick-up, keep the wiring away from motors, highvoltage leads and other potential noise sources.
- To prevent a short-circuit, keep all wiring away from moving parts and sharp edges.
- Make sure you carefully read and understand the installation instructions before installing this subwoofer in your vehicle.