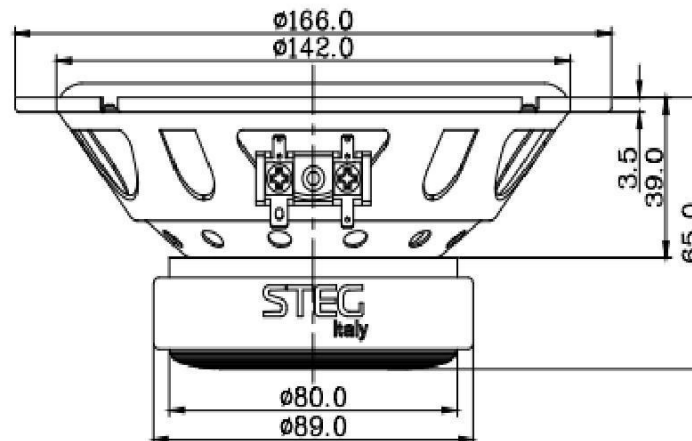
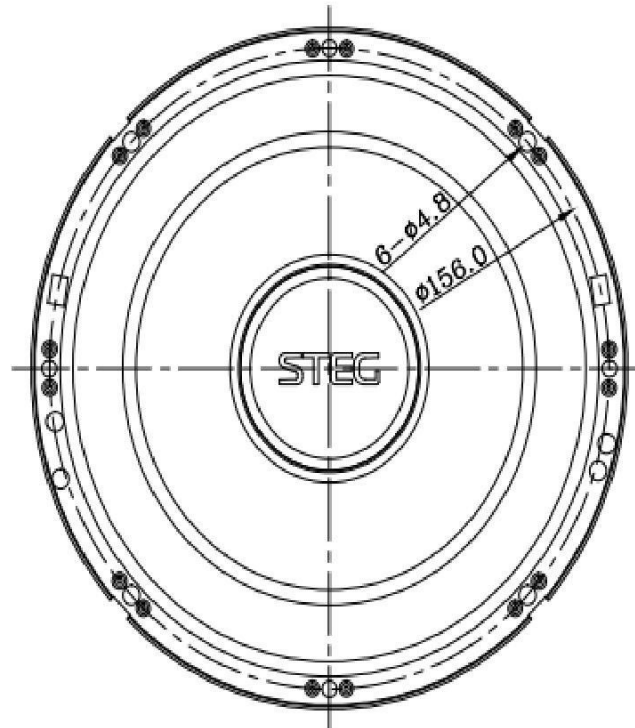


Speaker Model: **SQL 650C- WF**

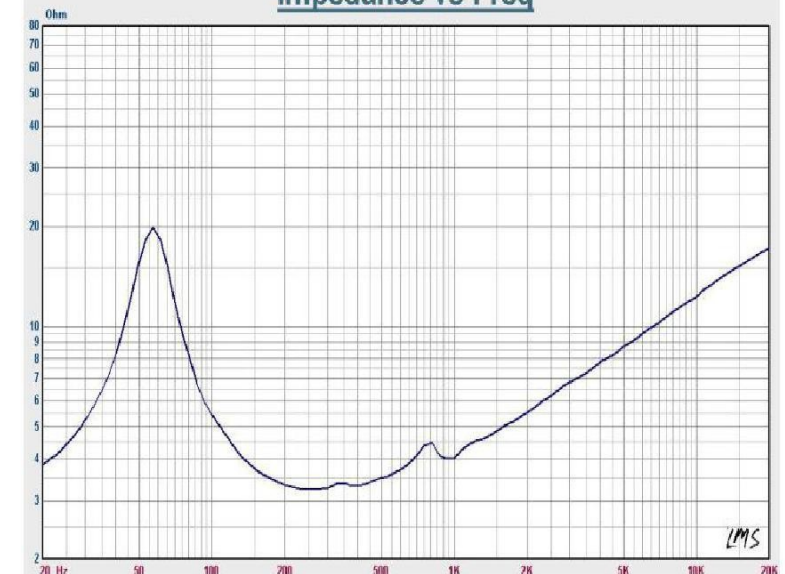
IAPHRAGM	MTL: Rubber+Paper
NOMINAL IMPEDANCE:	4.0±15% Ω
DCR IMPEDANCE:	3.6±10% Ω
SENSITIVITY 1W/1M:	87.0±3 dB
FREQUENCY RESPONSE:	60-10K Hz
FREE AIR RESONANCE:	60±20% Hz
VOICE COIL DIAMETER:	25.5 mm
RATED POWER INPUT:	180 W
MAXIMUM POWER INPUT:	220 W
MAGNET WEIGHT(OZ):	Ferrite
FERRO FLUID ENHANCED:	NO
Qms:	4.09
Qes:	0.65
Qts:	0.56
BL:	4.5TM



SPL vs Freq



Impedance vs Freq



Speaker Model:SQL 650C-TW

IAPHRAGM	MTL:	Silk+AL
NOMINAL	IMPEDANCE:	4.0±15% Ω
DCR	IMPEDANCE:	3.6±10% Ω
SENSITIVITY	1W/1M:	89.0±3 dB
FREQUENCY	RESPONSE:	1800-20K Hz
FREE AIR	RESONANCE:	1800±20% Hz
VOICE COIL DIAMETER:	25.4	mm
RATED POWER	INPUT:	15 W
MAXIMUM POWER INPUT:	30	W
MAGNET	WEIGHT(OZ):	NEO
FERRO FLUID ENHANCED:	YES	

